

## Connecting sets X-Z

for adjustable slide units GN 900

### SPECIFICATION

#### Types

- Type **P**: Mounting the Z-axis via connecting plate and additional plate
- Type **S**: Direct mounting of the Z-axis via connecting plate

Aluminium  
anodized, natural colour

Grub screw DIN 913  
Steel, zinc plated

Socket head cap screws DIN 912  
Stainless Steel



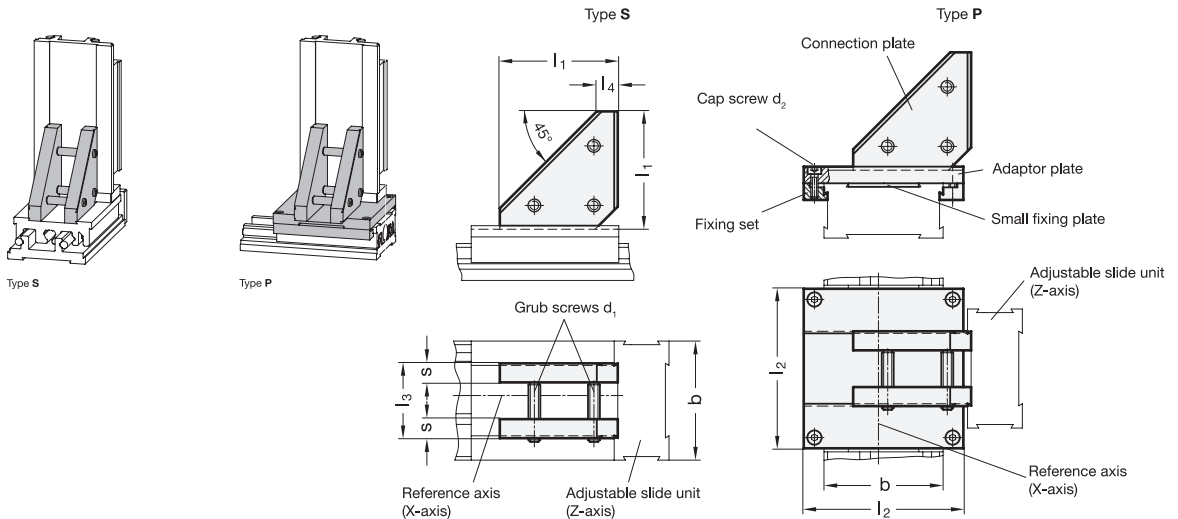
### INFORMATION

With connecting sets GN 900.3 two adjustable slide units GN 900 (see page 668) can be combined to produce an X-Z axis configuration. The combination is created by using two connection plates which eliminate any type of fixing holes in the slides. At the same time the adjustable slide unit with the Z-axis can, to a limited extent (vertically to the Z-axis), still be adjusted.

In the case of a slide configuration of the Z-axis parallel to the reference axis (type P) an adaptor plate (complete with a fastening set, small fixing plates and socket head cap screws) is required which is included in the set.

The small fixing plates serves for the 90° alignment of the Z-axis and fine adjustment of the adaptor plate (Type P).  
All parts required to make up a set are included.

### INSTALLATION EXAMPLE



### GN 900.3

Description	b Size of the slide	l1	d1	d2	l2	l3	l4	s	⚖
GN 900.3-30-30-P	30	30	M 4	M 2.5	41	17	6	6	47
GN 900.3-50-50-P	50	50	M 5	M 3	67	32	8	8	185
GN 900.3-80-80-P	80	80	M 6	M 4	105	52	13	12	680
GN 900.3-120-120-P	120	120	M 8	M 5	145	82	13	16	1770
GN 900.3-30-30-S	30	30	M 4	M 2.5	41	17	6	6	50
GN 900.3-50-50-S	50	50	M 5	M 3	67	32	8	8	76
GN 900.3-80-80-S	80	80	M 6	M 4	105	52	13	12	278
GN 900.3-120-120-S	120	120	M 8	M 5	145	82	13	16	779